

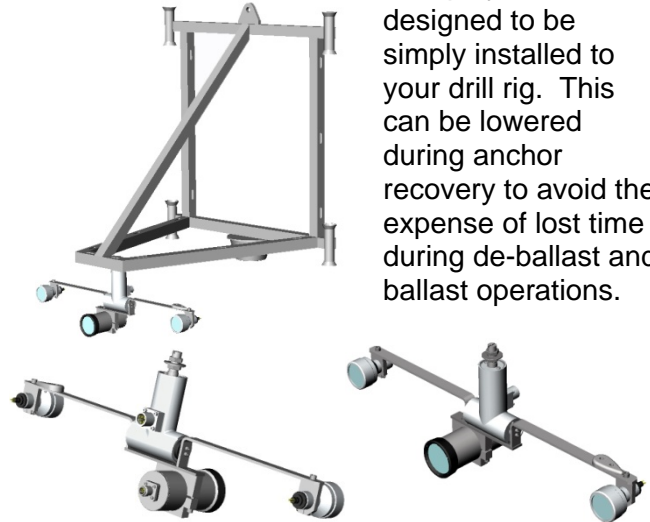


Anchor Retrieval Monitoring System

The Anchor Retrieval Monitoring System (ARMS) is the latest major cost saving development in underwater camera technology.

This new system has been developed around state of the art video inspection technology which is mounted on a stainless steel deployment frame,

designed to be simply installed to your drill rig. This can be lowered during anchor recovery to avoid the expense of lost time during de-ballast and ballast operations.



rear view of camera, lights and pan & tilt

front view of camera, lights and pan & tilt



The ARMS frame (shown above) once deployed, rests upon a frame between the chain reels

Individual Monitoring of All Mooring Chains and Anchors

Eliminates the Need to Off/On Load Material and Ballast & De-Ballast

Save up to 16 Hours Operational Time Per Rig Move

Remote Bridge or Winch House Controlled

High Reliability

State of the Art Colour CCD 36:1 Colour Zoom

316 Stainless Steel Deployment Frame



Howe Moss Crescent, Dyce, Aberdeen, AB21 0GN, Tel: +44 (0)1224 772345, Fax: +44 (0)1224 772900, Email: bowtech@bowtech.co.uk, Web: www.bowtech.co.uk

ANCHOR RETRIEVAL MONITORING SYSTEM

The ARMS frame is deployed by a braided, flame retardant, mud resistant umbilical with a Kevlar strength member attached by a mechanical and electrical subsea termination.



mechanical termination

The ARMS umbilical is stored on a customer made winch which can be fitted with a high quality electrical slip ring and is generally pneumatically powered from the existing rig air supply. Electric or hydraulic alternatives are available.

The umbilical is passed over a small sheave wheel usually mounted above the winch house, where the controller can be mounted for each pair of anchors, or alternatively in the bridge to operate all four ARMS systems.



custom built winch



Titanium LED-1600 light used on the ARMS frame



rack mounted controller complete with controller logo



Surveyor 36:1 Titanium Colour Zoom camera and EXPLORER Titanium low light monochrome camera used on the ARMS frame



Howe Moss Crescent, Dyce, Aberdeen, AB21 0GN, Tel: +44 (0)1224 772345, Fax: +44 (0)1224 772900, Email: bowtech@bowtech.co.uk, Web: www.bowtech.co.uk