



LED-2400 UNDERWATER LED LIGHT

The Bowtech LED-2400 is a new high output version of our popular LED-1600. This light features our latest quad cluster LED technology and is now a real alternative to incandescent lamps.

The LED's produce 4 times more light per watt than an incandescent bulb.

The LED-2400 has no fragile filaments, is highly shock resistant, robust, with exceptional longevity. The LED-2400 has an effective lifetime greater than 100,000 hours.

With an exceptional lifetime this leads to an enormous "in service" cost saving over lamps with incandescent bulbs.

The 3000m rated housing is made from hard anodised Aluminium, Titanium and Stainless Steel which offers proven, corrosive resistance.

The remotely dimmable LED array used in the light delivers a bright white light of 2400 lumens which is equal to or greater than the majority of incandescent lights of this type.

The light produced is ideal for colour video inspection or viewing tasks.

Long Life

**Rugged Construction
Shock & Vibration Resistant**

**Operates in Air or
Underwater**

3000 Metre Rating

High Intensity & Dimmable

Low Operating Cost

Auto Temperature Regulated

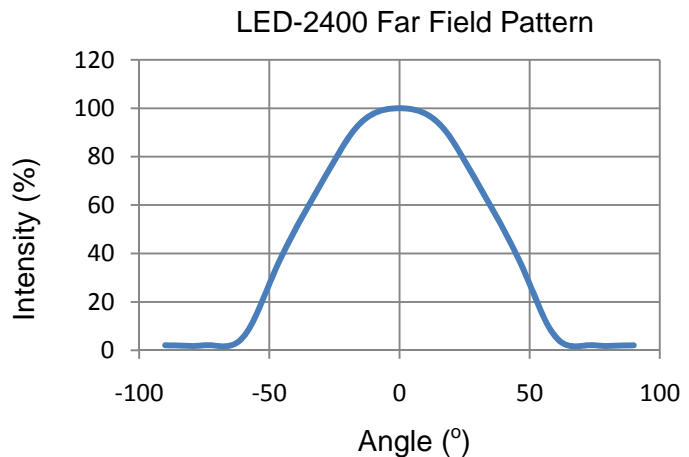
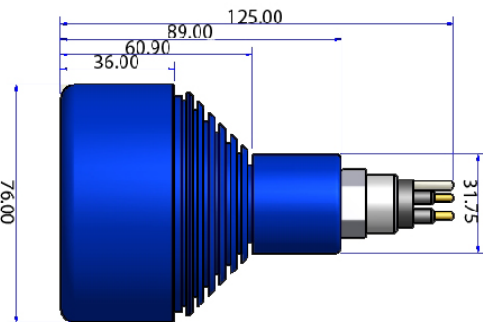


Howe Moss Crescent, Dyce, Aberdeen, AB21 0GN, Tel: +44 (0)1224 772345, Fax: +44 (0)1224 772900,
Email: bowtech@bowtech.co.uk, Web: www.bowtech.co.uk

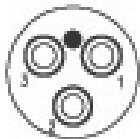
LED-2400

SPECIFICATIONS

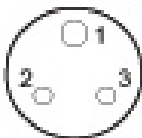
Housing Materials:	Hard Anodized 6082-T6 Aluminium Titanium Stainless Steel
Length:	89mm (3.5in) excluding connector
Diameter:	76.0mm (3in) front end 31.75mm (1.25in) body
Window/Lens:	Acrylic
Lamp Type:	Bowtech quad cluster LED array
Weights in Air:	Aluminium 0.460kg Titanium 0.670kg Stainless Steel 1.080kg
Weights in Water:	Aluminium 0.240kg Titanium 0.450kg Stainless Steel 0.860kg
Operating Depth:	3000m (9842ft)
Typical Beam Angle:	80 Degrees to 50% power points
Power Requirement:	24Vdc, 1.6 A
Typical Luminous Flux:	2400 lumens
Typical Luminous Intensity @ 1m:	1350 Lux
Dimming:	0-5Vdc, 0-10Vdc, Bi-polar, RS-485
Typical Colour Temperature:	6600 kelvin (options available)
Standard Connector:	MCBH3M
Optional Connectors:	A wide range of Connectors
Lumen Maintenance (70%):	50,000 hours



Standard Connector Options:



MCBH3M



XSG-3-BCL



LPMBH-3-MP



BH-3-MP



MSAJ-3-BCR



Howe Moss Crescent, Dyce, Aberdeen, AB21 0GN, Tel: +44 (0)1224 772345, Fax: +44 (0)1224 772900,
Email: bowtech@bowtech.co.uk, Web: www.bowtech.co.uk